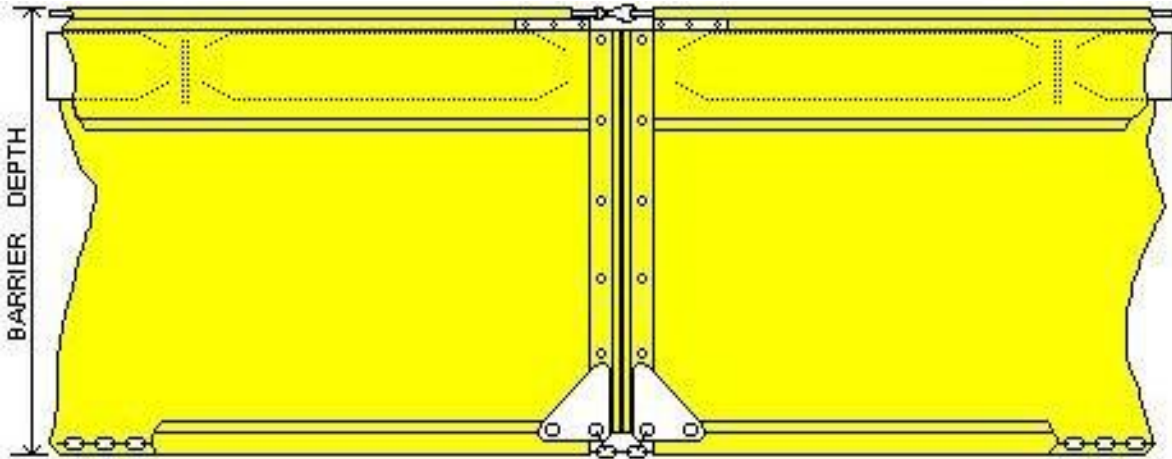


**Aer-Flo Inc.**  
4455 18<sup>th</sup> Street East  
Bradenton, FL 34203



**Tough-Guy® Floating Turbidity Barrier  
Type 2.DOT**

**Specifications (ST: 10/08)**

Fabric - 18 oz. nominal laminated vinyl/ polyester having the following characteristics:

Construction - vinyl laminate on 9x9 1000x1300 denier polyester scrim

Weight - 18.5 oz. per sq. yd (434 gr./sq.m)

Adhesion - 24 x 20 lb./2"

Grab Tensile - 410 x 410 lb./in. (430 x 421 daN/5cm.)

Tear - 100 x 100 lb./in. (95 x 95 daN)

Hydrostatic - 600 psi (4167 kPa)

Cold resistance to crack: -40° F/C

All seams heat sealed

5.8 inch poly rope reinforced vertical edges

#5 brass grommets

5/16 inc. galvanized steel in plastic sleeve 7 x 19 load cable in top, 9800 lb. break strength (4439 daN)

5/16 in. galvanized chain ballast in bottom

Aluminum stress plates at cable and chain termination

EPS flotation, (8 in. x 8 in. standard), 26.7 lb./ft. buoyancy in fresh water, 28.4 lb./ft in saltwater.