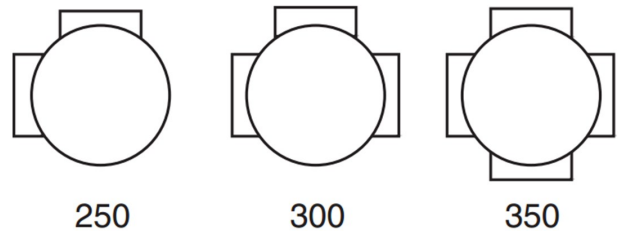
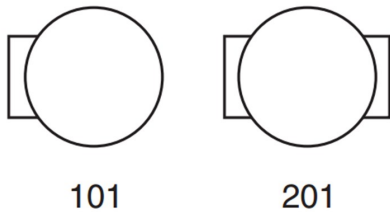
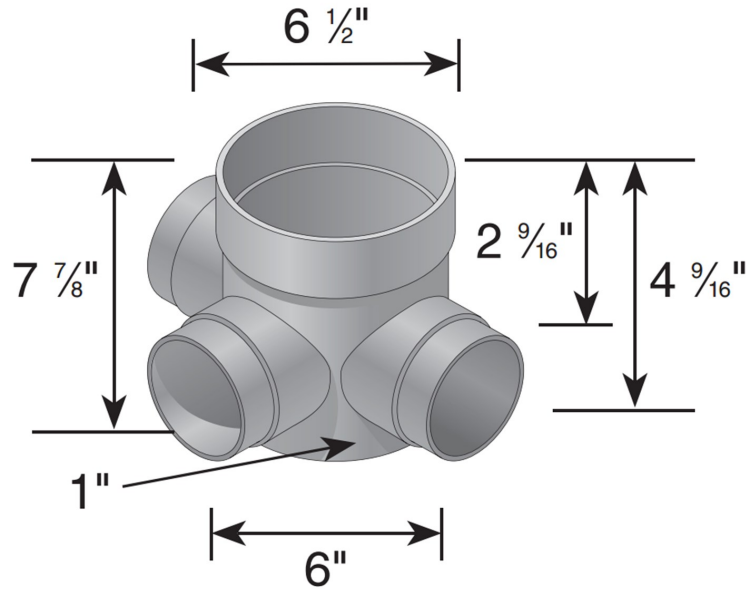
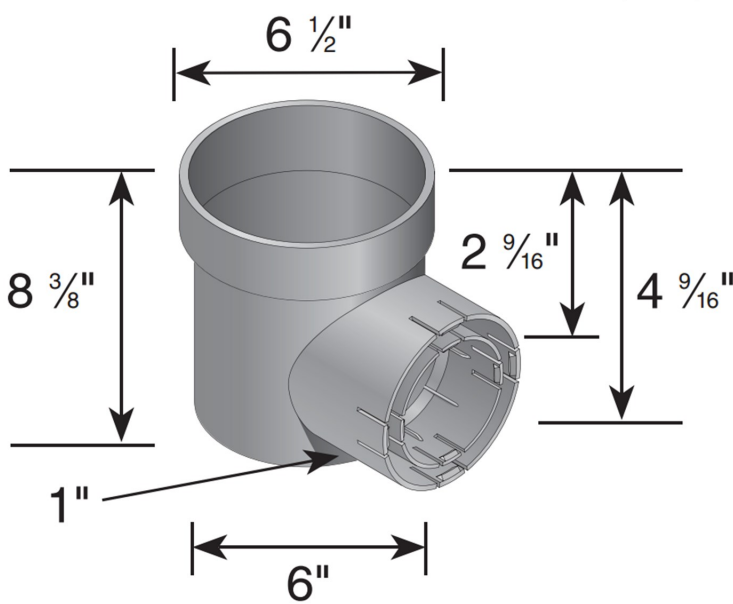


SPEE-D[®] BASINS



Material: Styrene

Colors: Black

Weight: #101 - 1.5 lbs, #201 - 1.825 lbs

Outlets: 1 - 3" & 4" Locking Outlet (101)

2 - 3" & 4" Locking Outlets (201)

Fits: 3" Triple wall, ASTM-2729, SDR-35, Corrugated Pipes

4" ASTM-2729, SCH-40, SDR-35, Corrugated Pipes

Use 6" SDR-35 Pipe as a riser.

Material: Styrene

Colors: Black

Weight: #250 - 1.64 lbs, #300 - 1.82 lbs, #350 - 1.998 lbs

Outlets: 2 - 4" 90° outlets (250)

3 - 4" Outlets (300)

4 - 4" Outlets (350)

Fits:

4" Sewer and Drain Fittings, ASTM 2729, SDR-35, SCH-40, Corrugated Pipes

NDS CATCH BASIN FLOW CAPACITIES

SPEE-D BASIN

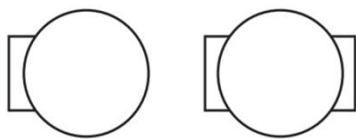
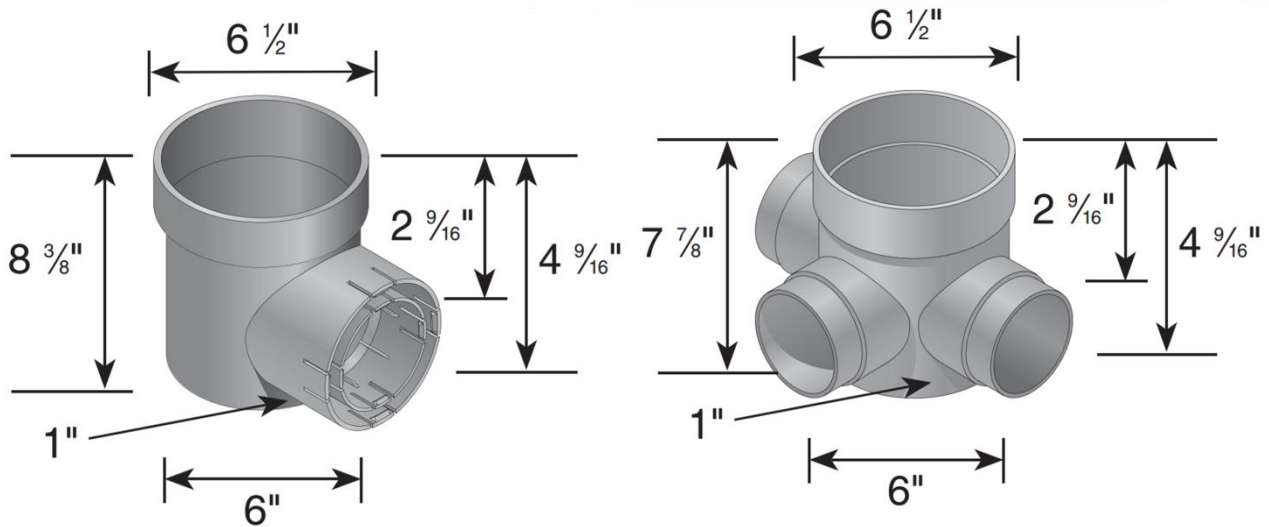
Part #: 101, 201, 250, 300, 350

GRATE CAPACITIES

Grate Number(s)	Description	Flow Rate with 1/2" Head
10, 20, 30, 30S	8" Round Grate	35.18 GPM
40, 50, 60, 60S	6" Round Grate	27.84 GPM
80, 81, 90, 90S	6" Atrium Grate	86.88 GPM

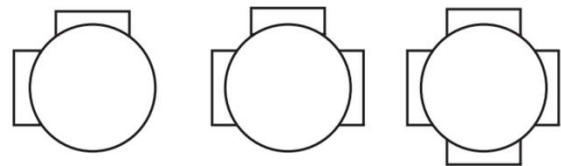
OUTLET FLOW CAPACITIES

Part #	Flow Rate per Outlet
101, 201	68.41GPM
250, 300, 350	83.55 GPM



101

201



250

300

350

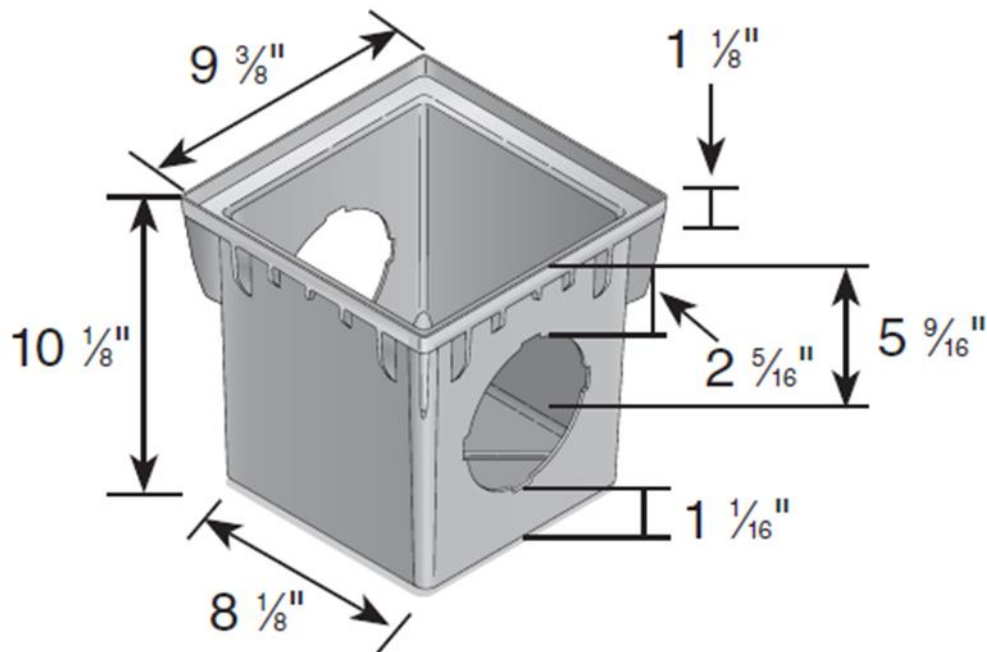
9" CATCH BASIN
Part #: 900, 900-4

GRATE CAPACITIES

Grate Number(s)	Description	Flow Rate with 1/2" Head
913	9" Square Ductile Iron Grate	66.38 GPM
915	9" Square Galvanized Steel Grate	189.48 GPM
930B	9" Square Brass Grate	170.89 GPM
980, 990, 999, 999S	9" Square Grate	114.69 GPM
980*	9" Square Grate	92.29 GPM
981, 991	9" x 9" Atrium Grate	136.28 GPM

OUTLET FLOW CAPACITIES

Part #	Flow Rate per Outlet
1242, 1243	67.64 GPM
1245	Top: 59.58 GPM Middle: 66.34 GPM Bottom: 73.45 GPM
1266	200.19 GPM



12" CATCH BASIN

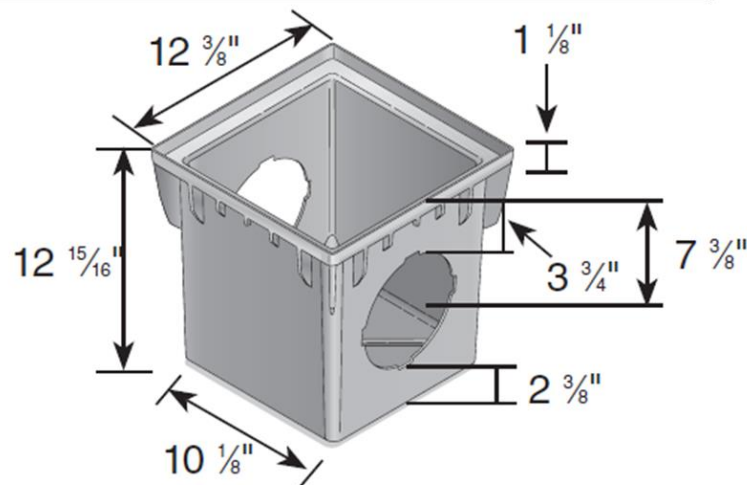
Part #: 1200, 1203, 1207

GRATE CAPACITIES

Grate Number(s)	Description	Flow Rate with ½" Head
1210, 1211, 1212, 1212S	12" x 12" Square Grate	155.28 GPM
1211*	12" x 12" Square Grate	157.79 GPM
1213	12" x 12" Square Cast Iron Grate	113.80 GPM
1215	12" x 12" Square Galvanized Steel Grate	348.07 GPM
1280, 1290	12' x 12" Atrium Grate	154.79 GPM
1218, 1218S, 1218GR, 1218GY	12" Botanical Plastic	74.77 GPM
1218CI	12" Botanical Cast Iron	76.60 GPM
1224, 1224S, 1224GR, 1224GY	12" Wave Plastic	78.53 GPM
1224CI	12" Wave Cast Iron	78.31 GPM

OUTLET FLOW CAPACITIES

Part #	Flow Rate per Outlet
1242, 1243	78.10
1245	Top: 70.49 GPM Middle: 76.30 GPM Bottom: 83.41 GPM
1266	247.12 GPM
1889	238.20 GPM



12" NEXT GENERATION CATCH BASIN

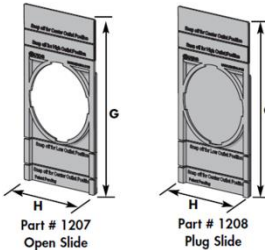
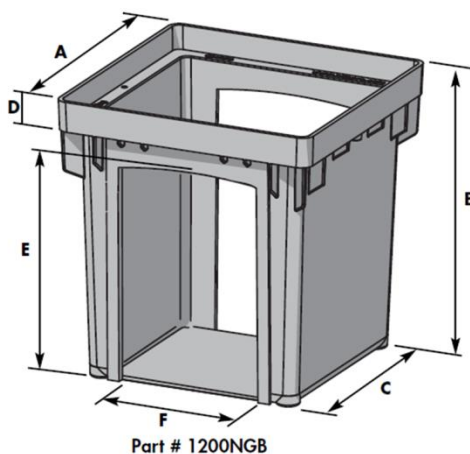
Part #: 1200NGB

GRATE CAPACITIES

Grate Number(s)	Description	Flow Rate with 1/2" Head
1210, 1211, 1212, 1212S	12" x 12" Square Grate	155.28 GPM
1211*	12" x 12" Square Grate	157.79 GPM
1213	12" x 12" Square Cast Iron Grate	113.80 GPM
1215	12" x 12" Square Galvanized Steel Grate	348.07 GPM
1280, 1290	12' x 12" Atrium Grate	154.79 GPM
1218, 1218S, 1218GR, 1218GY	12" Botanical Plastic	74.77 GPM
1218CI	12" Botanical Cast Iron	76.60 GPM
1224, 1224S, 1224GR, 1224GY	12" Wave Plastic	78.53 GPM
1224CI	12" Wave Cast Iron	78.31 GPM

OUTLET FLOW CAPACITIES

Part #	Flow Rate per Outlet
1242, 1243, 1245, 1266	Top: 76.29 GPM Middle: 84.93 GPM Bottom: 97.42 GPM
1889	Top: N/A Middle: 403.52 GPM Bottom: 481.37 GPM



Catch Basin Dimensions		
A	Top Width/Length	12 3/8"
B	Height	12 13/16"
C	Bottom Width/Length	10 1/8"
D	Height of Grating Shelf	1 1/4"
E	Opening Height	10 3/4"
F	Opening Width	7 1/8"
Outlet Slide Dimensions		
G	Height Before Install	15"
H	Width	7 13/16"

18" CATCH BASIN

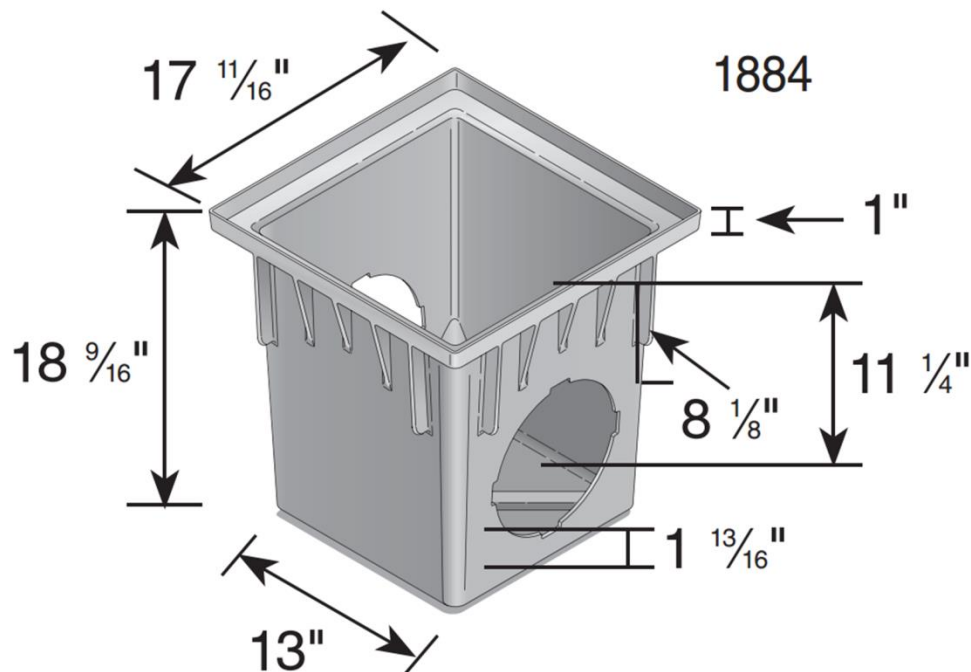
Part #: 1882, 1884

18" Catch Basin

Grate Number(s)	Description	Flow Rate with 1/2" Head
1810, 1811, 1812	18" x 18" Square Grate	264.03 GPM
1813	18" x 18" Cast Iron Square Grate	338.65 GPM
1815	18" Square Galvanized Steel Grate	731.13 GPM
1881, 1891	18" x 18" Atrium Grate	273.49 GPM

OUTLET FLOW CAPACITIES

Part #	Flow Rate per Outlet
1242, 1243 (with reducer ring)	102.50 GPM
1245 (with reducer ring)	Top: 97.53 GPM Middle: 103.88 GPM Bottom: 107.24 GPM
1266 (with reducer ring)	349.48 GPM
1888	439.80 GPM
1889	336.87 GPM



18" EXPANDABLE CATCH BASIN

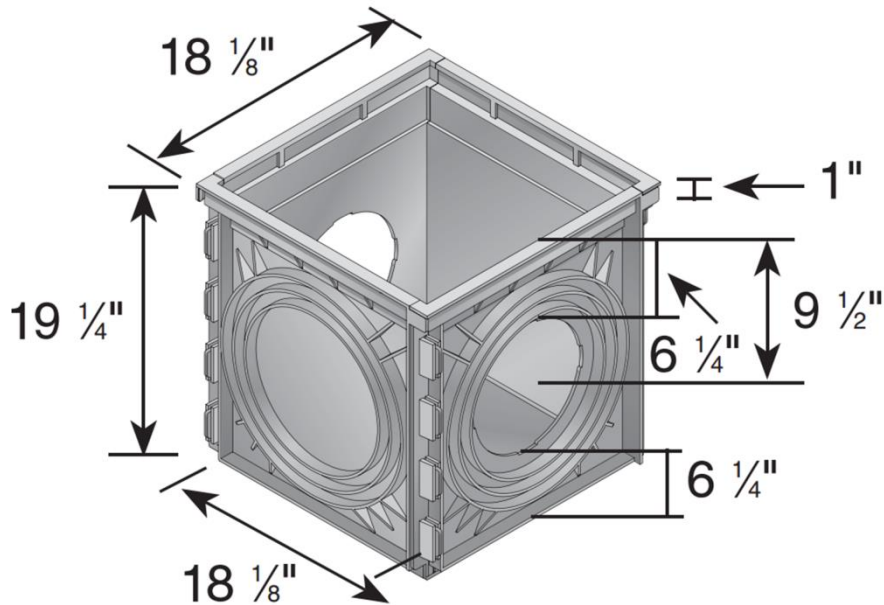
Part #: 1800, 1804

18" Catch Basin

Grate Number(s)	Description	Flow Rate with 1/2" Head
1810, 1811, 1812	18" x 18" Square Grate	264.03 GPM
1813	18" x 18" Cast Iron Square Grate	338.65 GPM
1815	18" Square Galvanized Steel Grate	731.13 GPM
1881, 1891	18" x 18" Atrium Grate	273.49 GPM

OUTLET FLOW CAPACITIES

Part #	Flow Rate per Outlet
1242, 1243, 1245 (with reducer ring)	92.30 GPM
1266 (with reducer ring)	308.90 GPM
1888	389.25 GPM



24" CATCH BASIN

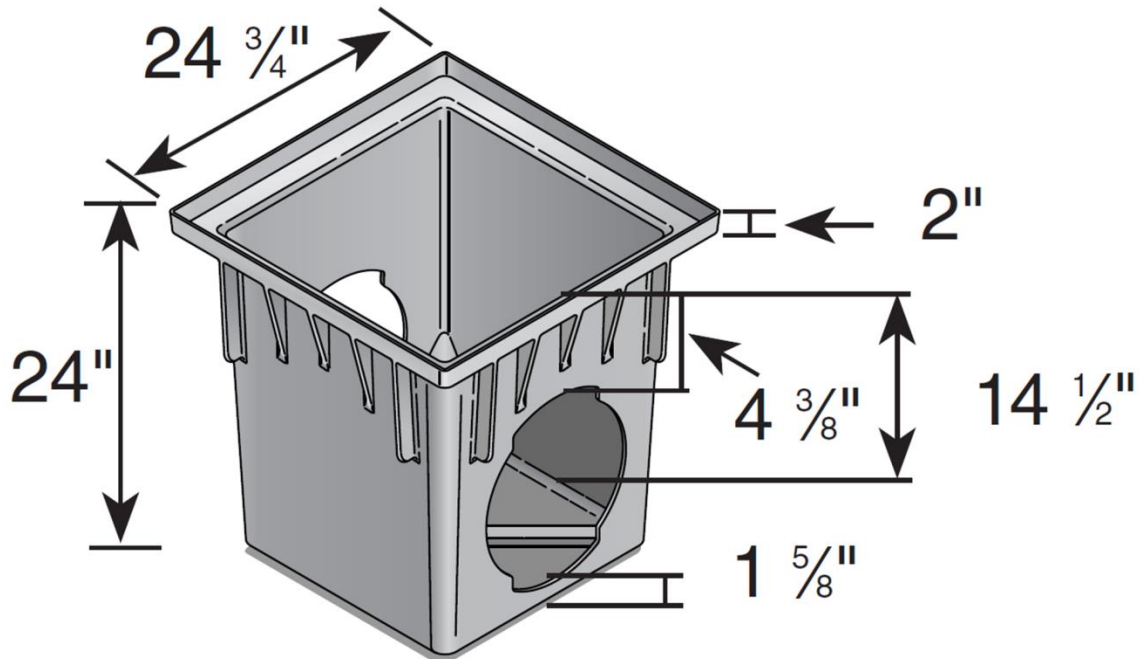
Part #: 2400, 2404

24" Catch Basin

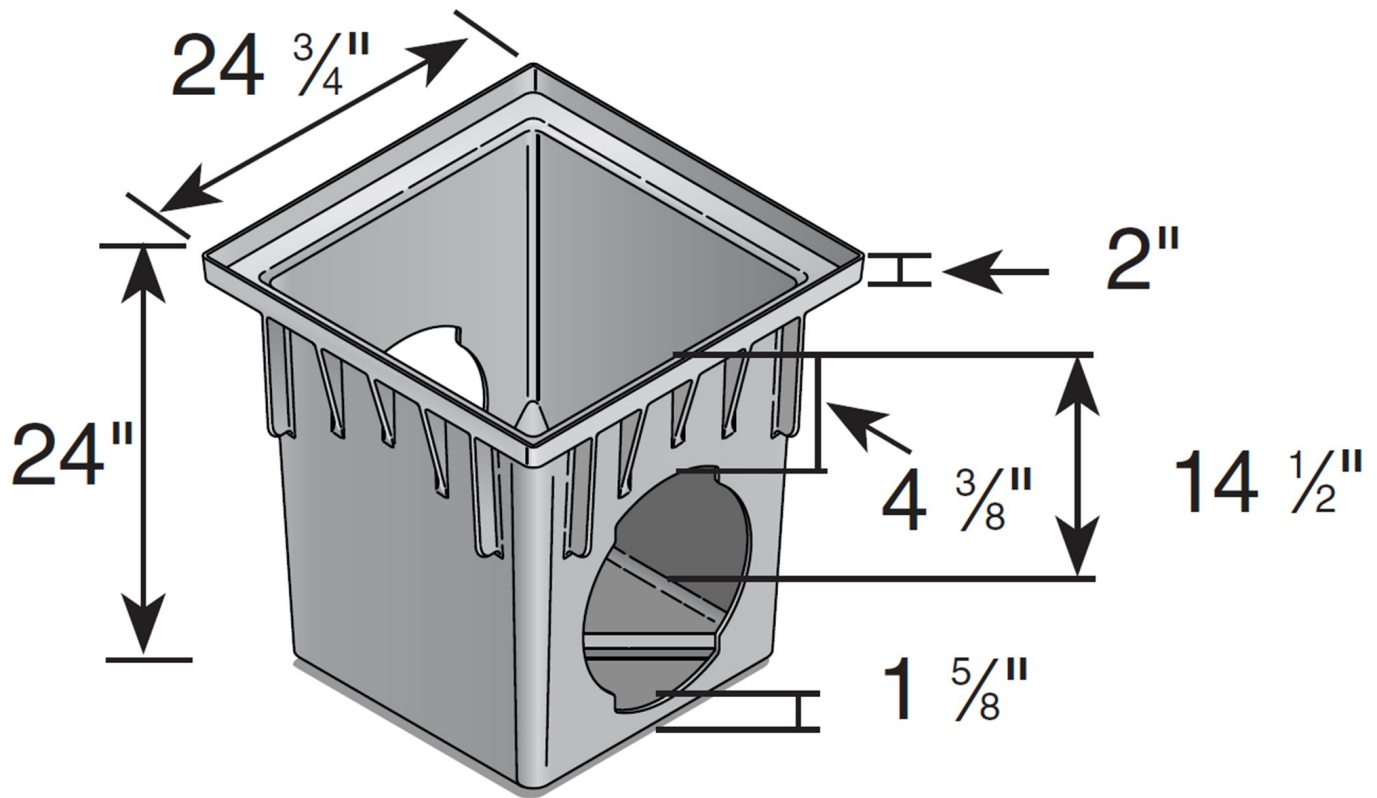
Grate Number(s)	Description	Flow Rate with 1/2" Head
2411, 2412	24" x 24" Square Grate	708.77 GPM
2413	24" x 24" Square Cast Iron Grate	602.65 GPM
2415	24" x 24" Square Galvanized Steel Grate	1292.33 GPM

OUTLET FLOW CAPACITIES

Part #	Flow Rate per Outlet
1242, 1243 (with reducer ring)	120.63 GPM
1245 (with reducer ring)	Top: 116.75 GPM Middle: 121.80 GPM Bottom: 124.40 GPM
1266 (with reducer ring)	419.01 GPM
1888	532.62 GPM
2410	Inner Most Ring: 1147.01 GPM 2 nd Ring: 1457.67 GPM 3 rd Ring: 1542.18 GPM Outer Ring: 1940.08 GPM



24" x 24" Catch Basin



Part #: 2400 (2 Openings) and #2404 (4 Openings)

Material: HDPE (High Density Polyethylene)

Color: Black

Use with 24" x 24" Grates

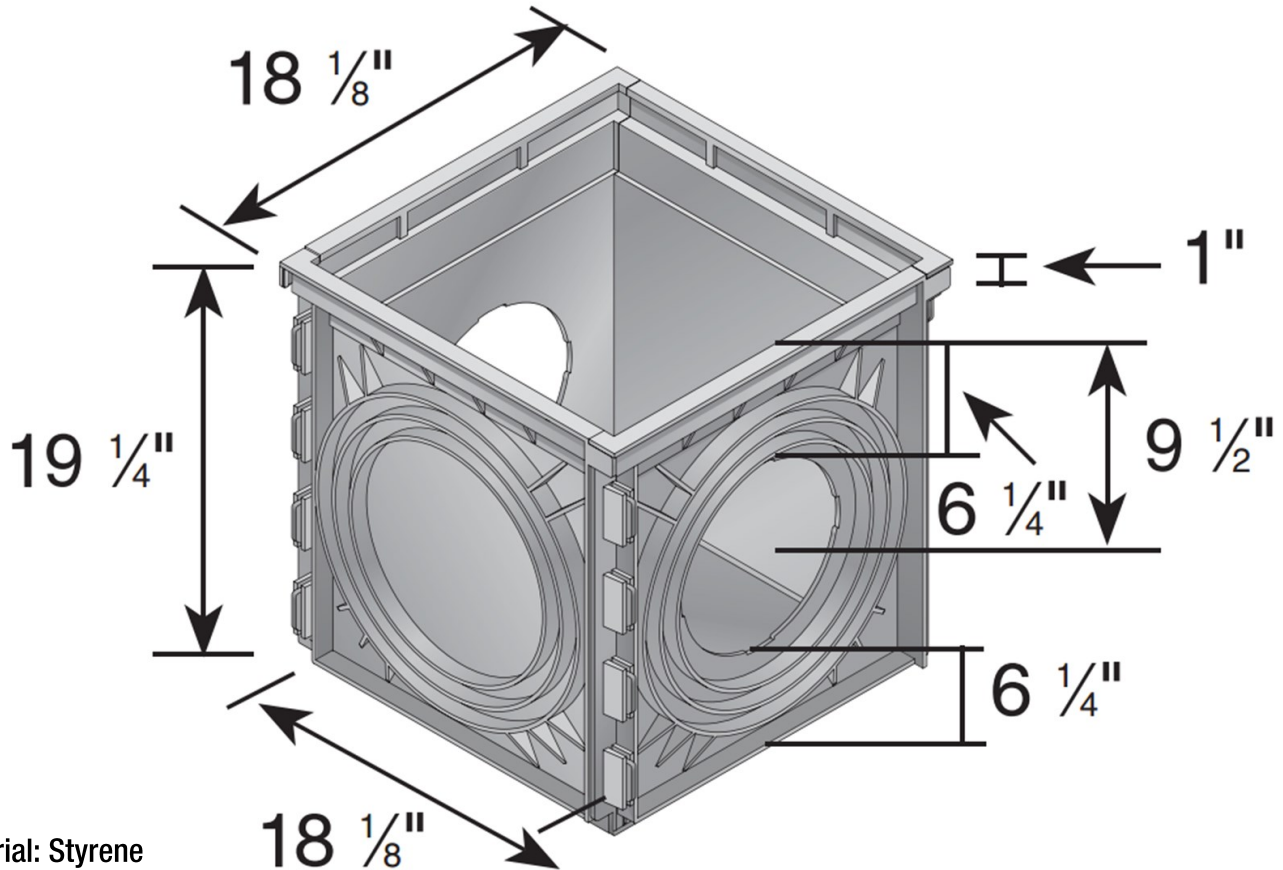
Fits: 3" or 4" Sch. 40, sewer, drain, corrugated, and triple wall pipe, 6" and 8" sewer, drain and corrugated pipe, 10" and 12" sewer, drain and dual wall corrugated pipe, 12" single wall corrugated pipe will not fit 10" single wall corrugated pipe.

Requires 2 or 4 #2410 Universal Outlet

Weight Per Each: 19.45 lbs. (#2400), 18.00 lbs. (#2404)

UV inhibitor

18" EXPANDABLE CATCH BASIN



Material: Styrene

Weight: 16.00 lbs

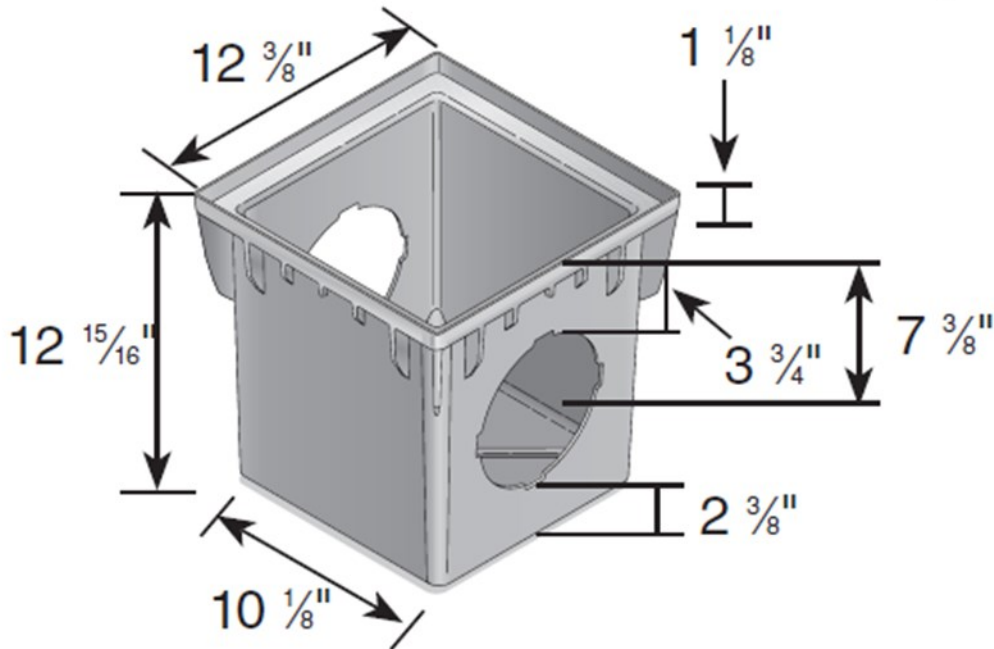
Colors: Black

- 18" Expandable Catch Basin with 2 Openings (1800)
Composed of 2 #1820, 2 #1822, 1 #1828
Includes 2 #1890 Reducer Rings
- 18" One Piece Catch Basin with 4 Openings (1804)
Includes 4 #1890 Reducer Rings

Requires either #1206, #1242, #1245, #1266, #1888, or #1889 universal outlet to connect pipe

Connections are soil tight, require water proof silicone to make connections water tight

12" x 12" CATCH BASIN



- 1200BLKIT- Catch basin with 2 openings
- 1200- Catch basin with two openings
- 1203- Catch basin with 3 openings
- 1204- Catch basin with 4 openings

Material: Polypropylene

Colors: Black (1200BLKIT, 1200, 1203, 1204)

Fits: Requires either part # 1206, #1242, # 1243, #1245, #1266, or # 1889 Universal Outlet for each opening.

Bottom cutout may be used for additional outlet.

