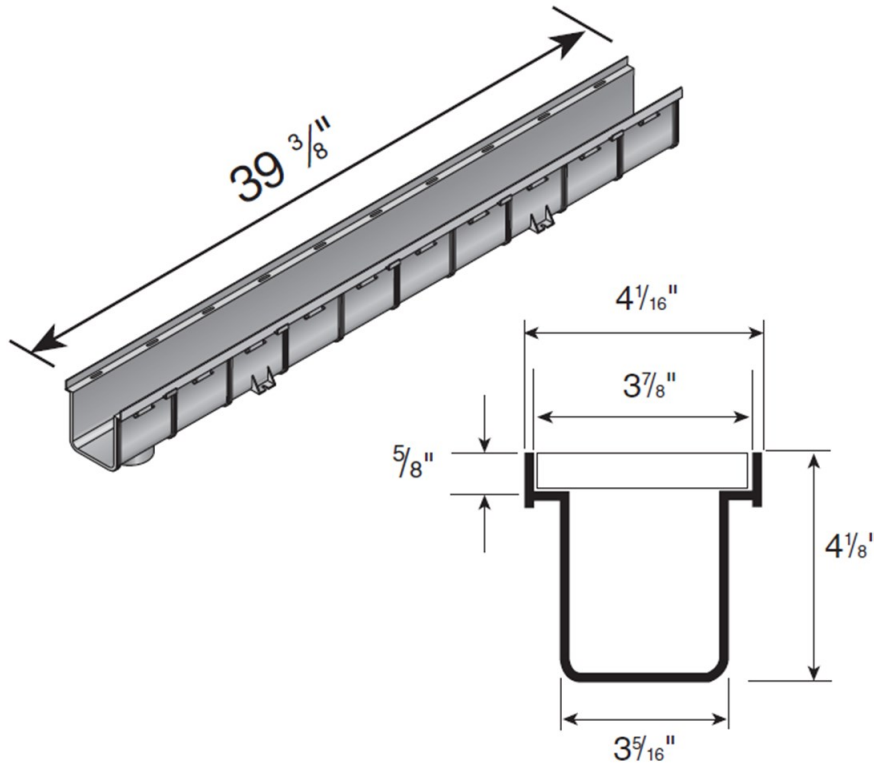


3" Pro Series Channel



Part #: 710 (3" x 1 Meter Channel)
 Material: Channel PVC
 Color: Light Gray (Grate)
 Use with 3" Pro Series Grates
 Fits: Bottom Outlet fits 3" Sewer/Drain Fitting
 Weight Per Each: 2.50 lbs.
 UV inhibitor

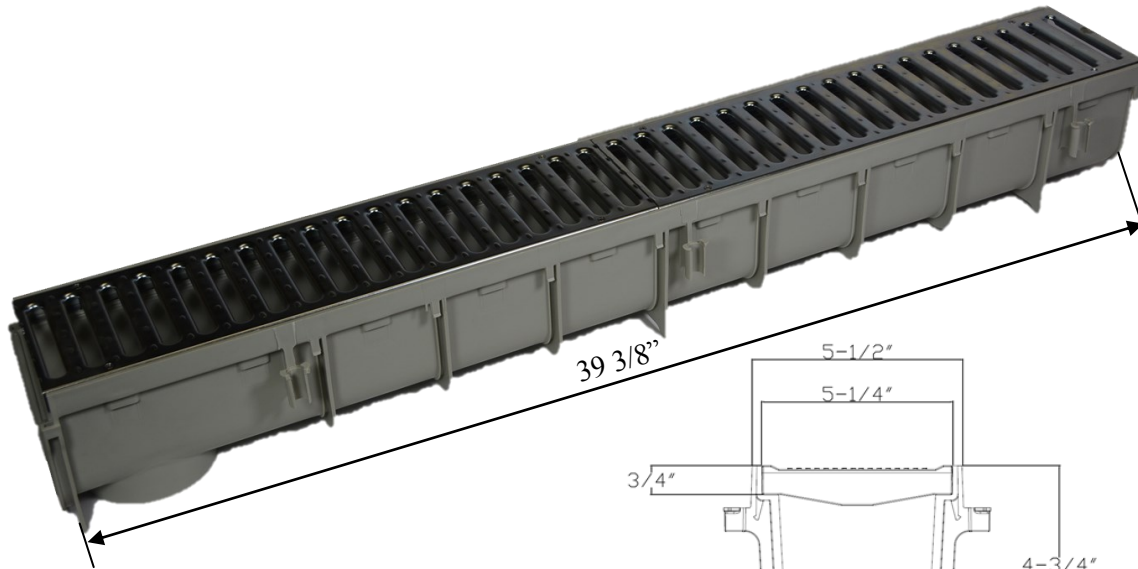


Class B

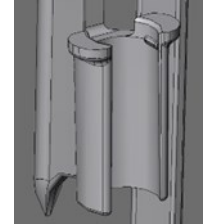
- Loads of 61-175 psi.
- Recommended for medium-duty pneumatic tire traffic, autos and light trucks at speeds less than 20 m.p.h.



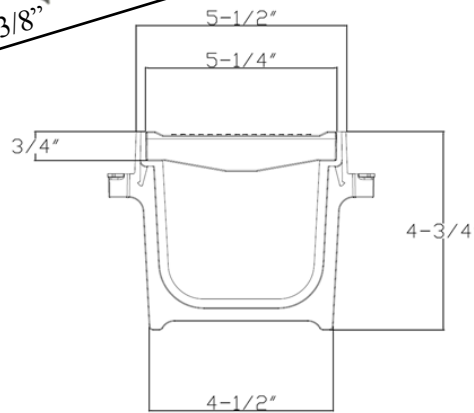
5 Inch Pro Series Drain Kit With Metal Grate



SIDE REBAR CLIP
DETAIL



GRATE SLOT
DETAIL



CROSS-SECTION
DETAIL



Class B

- Loads of 61-175 psi.
- Recommended for medium-duty pneumatic tire traffic, autos and light trucks at speeds less than 20 m.p.h.

Part #: 864GMTL (Includes 2 Galvanized Steel Grates , #800-Channel (1qty.), #813-End Outlet (1qty.), and #812-End Cap (1qty.)

Material: Channel (Polyolefin) Grates (Galvanized Steel)

Color: Light Gray / Galvanized Steel

Fits: 3" (Hub) and 4" (Spigot) Sewer/Drain Pipe

Rebar tie clips for easier installation: Fits #4 Rebar

Grate Opening: 0.45" x 4"

Open Surface Area: 19.32 sq. inch per linear ft.

Head Pressure / Flow Rate:

Head (inches) - Max Flow

1" = 83.58 GPM per foot

0.5" = 59.10 GPM per foot

Weight per unit: 7.70 lbs.

Screw: #829 Stainless Steel Screw, 4 per grate.

UV Inhibitors

Note: Some installations may require a concrete collar to meet load rating. Loads are based on encasing product in concrete. Product must be installed using NDS instructions.

ADA Compliance

NDS provides a wide selection of grates that are compliant with the Americans with Disabilities Act. The *ADA Accessibility Guidelines For Buildings and Facilities* Section 4.5.4 specifies that ground and floor grates "shall have spaces no greater than 1/2 in (13 mm) wide in one direction."

We are pleased to provide grates that comply with these requirements, so that no individual need be limited from accessing the area safely and confidently.

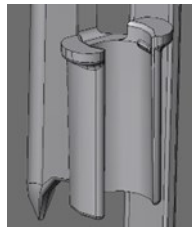
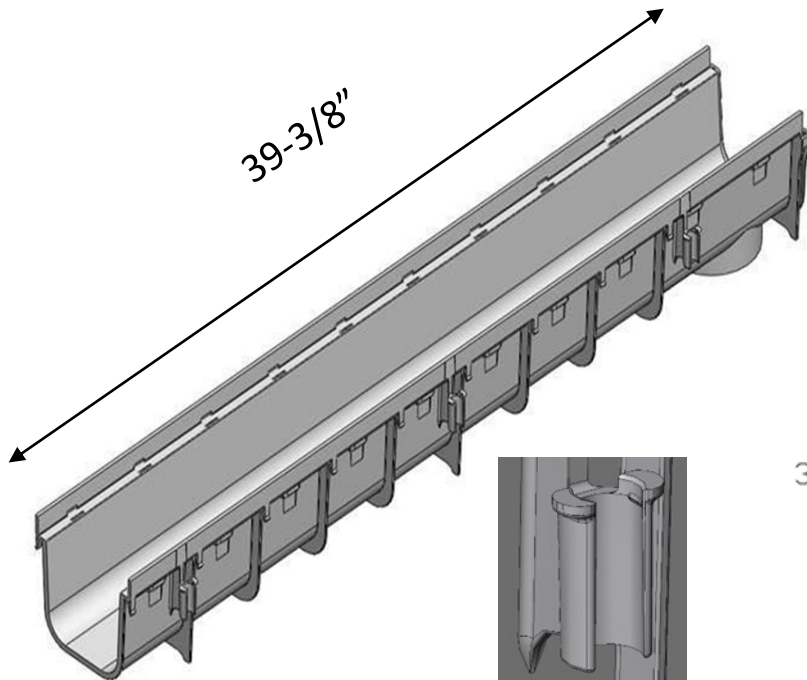
To see if a grate is ADA compliant, please check the description of the product in our *NDS Drainage Catalog*: products that meet these requirements are marked "ADA compliant."

Like to find out more about ADA compliance and NDS? Send us your question and we'd be happy to help.

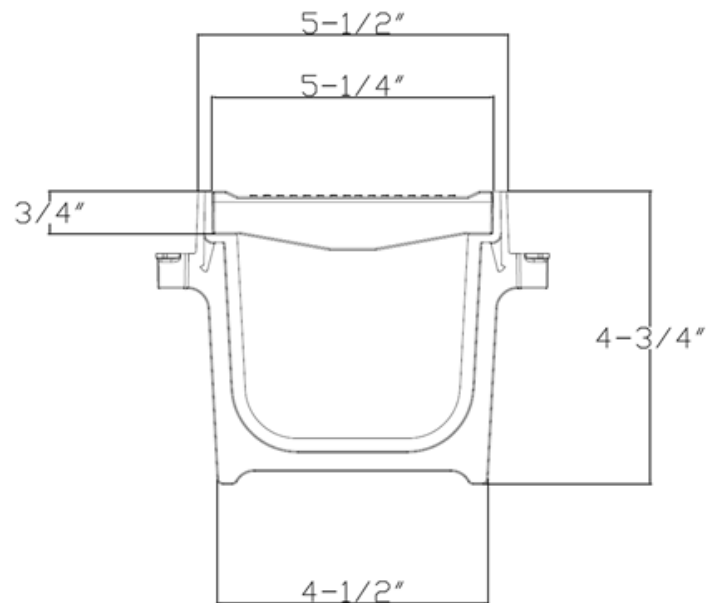
ADA COMPLIANT



5" x 1 Meter Deep Profile Channel Drain

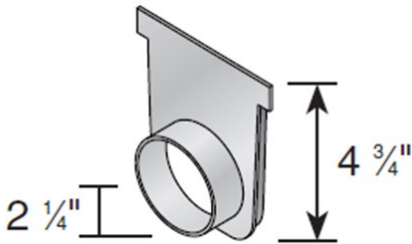


Detail of rebar

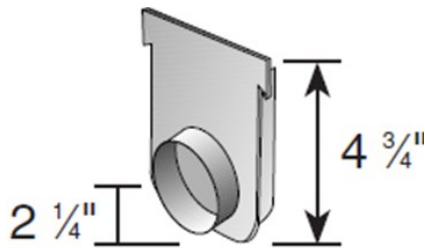


Part #: 800
 Material: Polyolefin
 Color: Light Gray
 Mechanical Interlocking Joints
 Use with 5" Pro Series Grates (2 grates per channel), Cap (#812) and Outlet (#811 & #813)
 Fits: Bottom knock out fits 3" or 4" sewer, drain fitting.
 End Outlet fits 3" pipe (Hub) and 4" pipe (Spigot)
 Rebar tie clips for easier installation: Fits #4 Rebar
 Weight Per Each: 3.0 lbs. per each.
 UV inhibitor

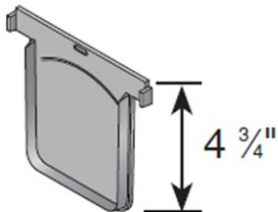
5" x 1 Meter Deep Profile Channel Accessories



Part No.	Description	Color	Pkg. Qty.	Wt. Ea. (lbs.)	Product Class	Specifications
811	5" Deep Profile 3" S&D Pipe Hub & 4" S&D Fitting SPT End Outlet	Light Gray	10	0.40	25IN	NDS #811, 5" Wide Deep Profile high impact PVC End Outlet.

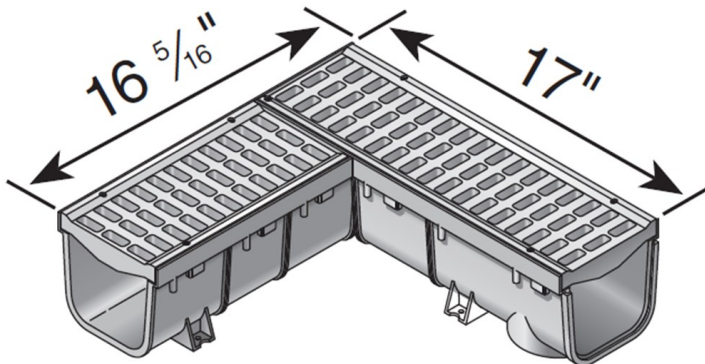


Part No.	Description	Color	Qty.	(lbs.)	Class	Specifications
813	5" Deep Profile End Cap/3" S&D Hub & 4" S&D SPT Knock Out End Outlet	Light Gray	10	0.40	25IN	NDS #813, 5" Wide Deep Profile high impact PVC End Cap/End Outlet.



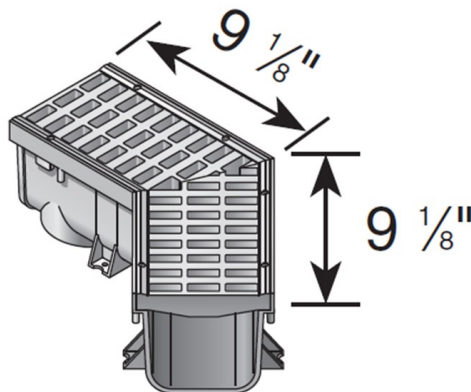
Part No.	Description	Color	Pkg. Qty.	Wt. Ea. (lbs.)	Product Class	Specifications
812	5" Deep Profile End Cap	Light Gray	10	0.20	25IN	NDS #812, 5" Wide Deep Profile high impact PVC End Cap.

5" x 1 Meter Deep Profile Channel 90 & 45 Degree Elbow



Part No.

861



Part No.

862

Part #: 861, #862

Grate Material: HDPE (High Density Polyethylene)

Color: #814(Light Gray)

Fits: 5" Pro Series Channel, Part# 800

Grate Opening: 3/8" x 1-1/4"

Open Surface Area: 23.52 Sq. Inch per Ft.

Head Pressure / Flow Rate:

Head (inches) - Max Flow

1" = 101.75 GPM

0.5" = 71.95 GPM

Part# 861 Weight per each: 3.44 lbs.

Part# 862 Weight per each: 3.44 lbs.

UV Inhibitors



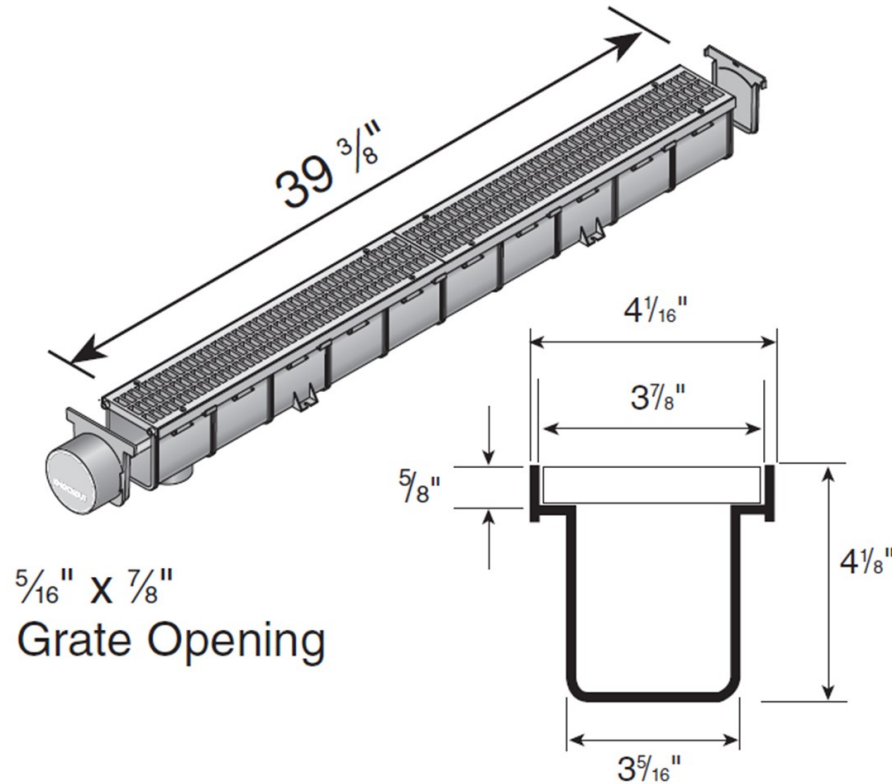
Class B

- Loads of 61-175 psi.
- Recommended for medium-duty pneumatic tire traffic, autos and light trucks at speeds less than 20 m.p.h.

ADA Compliant



3" Pro Series Channel Drain Kit



Part #: 764 (3" x 1 Meter light Traffic Drain Kit)
 Material: Channel PVC, Grate PVC , Cap/End Outlet PVC and End Cap PVC
 Color: Light Gray (Grate)
 Fits: End Outlet fits 3" Sewer/Drain Fitting
 Grate Opening: $\frac{5}{16}$ " X $\frac{7}{8}$ "
 Open Surface Area: 23.63 Sq. Inches Per Foot.
 Head Pressure / Flow rate:
 1" = 102.23 GPM per Foot
 0.5" = 72.29 GPM per Foot
 Weight Per Each: 4.61 lbs.
 UV inhibitor



Class B

- Loads of 61-175 psi.
- Recommended for medium-duty pneumatic tire traffic, autos and light trucks at speeds less than 20 m.p.h.

ADA Compliant

